

# Agricube Technical Data

## Light Utility

	70	80	90
<b>ENGINE</b>			
Engine manufacture	FPT	FPT	FPT
Engine name	F5C (EURO III A)	F5C (EURO III A)	F5C (EURO III A)
Displacement	3,200 c <sup>3</sup>	3,200 c <sup>3</sup>	3,200 c <sup>3</sup>
Number of cylinders/Configuration	4 turbo	4 turbo intercooler	4 turbo intercooler
Cooling system	Liquid cooled	Liquid cooled	Liquid cooled
Maximum power ISO kW/hp	53 / 72.1	57 / 77.5	65 / 88.4
PTO power ISO kW/hp	42 / 57	46 / 62	55 / 75
Rated engine speed	2,300	2,300	2,300
Maximum torque speed	1,250	1,250	1,300
Maximum torque	290 Nm @ 1,250 rpm	330 Nm @ 1,250 rpm	350 Nm @ 1,300 rpm
Torque rise	25%	32%	36%
Fuel tank capacity	70 l	70 l	70 l
Exhaust	Horizontal	Horizontal	Horizontal
<b>ELECTRIC SYSTEM</b>			
Battery	100 Ah	100 Ah	100 Ah
Alternator	80 A	80 A	80 A
Engine start	4.2 kW	4.2 kW	4.2 kW
<b>TRANSMISSION</b>			
12+12 12 front 12 rear	<b>Gear Levers:</b> lateral · <b>Gear Box:</b> 4 gear synchro <b>Range:</b> 3 gear range M/ Hi collar shift L · <b>Reverser:</b> mechanical <b>Minimum tractor speed:</b> 1.6 km/h with rear tyre 16.9R30 <b>Maximum tractor speed:</b> 30 km/h with rear tyre 16.9R30		
24+24 24 front 24 rear	<b>Gear Levers:</b> Lateral · <b>Gear Box:</b> 4 gear synchro <b>Range:</b> 3 gear range M/ Hi collar shift L · <b>HI-LO:</b> mechanical · <b>Reverser:</b> mechanical <b>Minimum tractor speed:</b> 0.5 km/h with rear tyre 16.9R30 <b>Maximum tractor speed:</b> 40 km/h with rear tyre 16.9R30		
24+24 24 front 24 rear	<b>Gear Levers:</b> Lateral · <b>Gear Box:</b> 4 gear synchro <b>Range:</b> 3 gear range M/ Hi collar shift L · <b>HI-LO:</b> electrohydraulic <b>Reverser:</b> mechanical · <b>Minimum tractor speed:</b> 0.5 km/h with rear tyre 16.9R30 <b>Maximum tractor speed:</b> 40 km/h with rear tyre 16.9R30		
24+12 24 front 12 rear	<b>Gear Levers:</b> Lateral · <b>Gear Box:</b> 4 gear synchro <b>Range:</b> 3 gear range M/ Hi collar shift L · <b>HI-LO:</b> electrohydraulic <b>Reverser:</b> electrohydraulic · <b>Minimum tractor speed:</b> 0.5 km/h with rear tyre 16.9R30 <b>Maximum tractor speed:</b> 40 km/h with rear tyre 16.9R30		
<b>MECHANICAL POWER TAKE OFF</b>			
Speed option (dry disc clutch)	540 - 540/540 E - 540/1,000		
Ground drive PTO	Option		
Speed indicator on dashboard	Base		
<b>ELECTRO HYDRAULIC POWER TAKE OFF</b>			
Speed option (Wet disc clutch)	540/540 E - 540/1,000		
Ground drive PTO	Base		
Speed indicator on dashboard	Base		
<b>CLUTCH</b>			
Dry independent	11"		

<b>BRAKES</b>	
Brake actuation	Mechanical & Hydraulic integrated
Brake configuration	Oil wet disk
<b>REAR DIFFERENTIAL LOCK</b>	
Type	Mechanical
Actuation	Electrohydraulic
<b>FRONT AXLE</b>	
Maximum steering angle	55°
Tilt angle	11°
Flange distance	1,640 mm
4WD Actuation	Electrohydraulic
Differential lock	Self-locking
<b>REAR AXLE</b>	
Type	Epicyclic
Ratio	6:1
Flange distance	1,540 mm
<b>HYDRAULIC SYSTEM</b>	
Pumps capacity (lt/min)	<b>With 2 pumps (base):</b> 61.2 + 24.8
Distributors	<ul style="list-style-type: none"> <li>- 2 DE: 1SE/1DE + 1SE/DE with neutral simple return, push pull (4 rear exits), flow control for simultaneous use of distributor and lift (base)</li> <li>- 3 DE: 1SE/1DE + 1SE/DE + 1SE/DE with neutral simple return, push pull (6 rear exits), flow control for simultaneous use of distributor and lift (option)</li> </ul>
<b>THREE POINT HITCH</b>	
Three point hitch category	2 Cat.
Lower links	Ball-type with mechanical vertical tie rod (base) Quick-connection with mechanical vertical tie rod (opzione)
Maximum lift capacity	2,600 kg (base) - 3,000 kg (option)
Lift	Mechanical with position, draft, mix control (base) - Electronic (option)
<b>TOW HOOKS</b>	
Pins/Sliding	Category Cuna C (basic), Category Cuna C + D2 (optional)
<b>FRONT WEIGHTS</b>	
Option	6 elements x 30 kg (180 kg) 10 elements x 30 kg (300 kg) 14 elements x 30 kg (420 kg)
<b>DRIVER SEAT OOS</b>	
Platform	Suspended, insonorized, on 4 silent blocks
Front rops	Rear tiltable roll bar with two footboards
Steering wheel	Fixed (base), Telescopic & tiltable (option)
Seat	Mechanical suspended seat in Pvc (base)
Mirror	1 Telescopic LH rearview mirror (base), 1 RH telescopic rearview mirror (option)
Dashboard	Multifunction
Operator's Manual	English / Italian version (base)
<b>DRIVER SEAT CABIN VERSION</b>	
Cabin	Insonorised, on 4 silent block suspended, ventilated and heated version
Air filter	With category 2 filters according to regulation
Steering wheel	Fixed (base), Telescopic & tiltable (option)
Seat	Mechanical suspended seat in textile with safety belt
Mirror	2 external rearview mirrors LH & RH - 1 internal rear view (option)
Dashboard	Multifunction
Operator's Manual	English / Italian version (base)

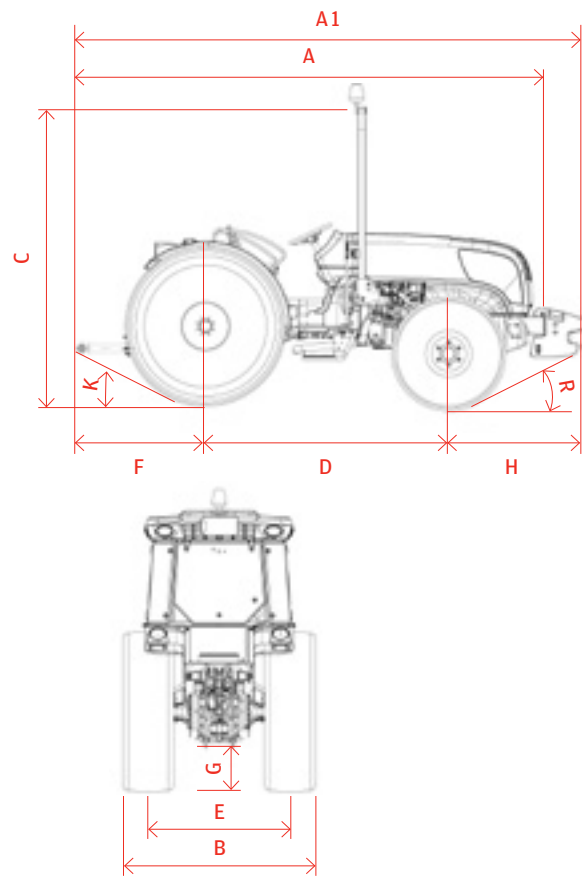
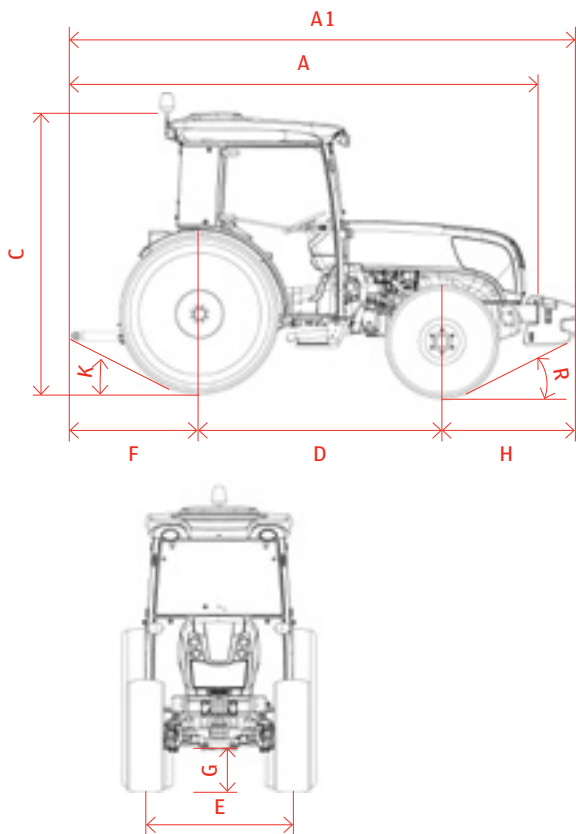
# Agricube Measurements

	Vineyard		Wide Vineyard		Orchard		Light Utility		
	CAB	OOS	CAB	OOS	CAB	OOS	CAB	OOS	
<b>A *</b> (mm)	2 WD	3,991	3,991	3,991	3,991	3,991	3,991	4,019	4,019
	4 WD	3,991	3,991	3,991	3,991	3,991	3,991	4,019	4,019
<b>A 1 *</b> (mm)	2 WD	4,316	4,316	4,316	4,316	4,316	4,316	4,335	4,335
	4 WD	4,316	4,316	4,316	4,316	4,316	4,316	4,335	4,335
<b>B max</b> (mm)	2 WD	1,700	1,700	1,900	1,900	1,980	1,980	2,230	2,230
	4 WD	1,700	1,700	1,900	1,900	1,980	1,980	2,230	2,230
<b>C</b> (mm)	2 WD	2,335	2,482	2,385	2,533	2,385	2,533	2,424	2,667
	4 WD	2,335	2,482	2,385	2,533	2,385	2,533	2,424	2,667
<b>D *</b> (mm)	2 WD	2,098	2,098	2,098	2,098	2,098	2,098	2,115	2,115
	4 WD	2,098	2,098	2,098	2,098	2,074	2,074	2,098	2,098
<b>E front</b> (mm)	2 WD	776 ÷ 1,374	776 ÷ 1,374	776 ÷ 1,374	776 ÷ 1,374	997 ÷ 1,566	997 ÷ 1,566	1,438 ÷ 1,576	1,438 ÷ 1,576
	4 WD	822 ÷ 1,022	822 ÷ 1,022	846 ÷ 1,110	846 ÷ 1,110	997 ÷ 1,625	997 ÷ 1,625	1,311 ÷ 1,939	1,311 ÷ 1,939
<b>E rear</b> (mm)	2 WD	896 ÷ 1,296	896 ÷ 1,296	928 ÷ 1,376	928 ÷ 1,376	1,102 ÷ 1,646	1,102 ÷ 1,646	1,384 ÷ 1,922	1,384 ÷ 1,922
	4 WD	896 ÷ 1,296	896 ÷ 1,296	928 ÷ 1,376	928 ÷ 1,376	1,102 ÷ 1,646	1,102 ÷ 1,646	1,384 ÷ 1,922	1,384 ÷ 1,922
<b>F</b> (mm)	2 WD	1,060	1,060	1,060	1,060	1,060	1,060	1,088	1,088
	4 WD	1,060	1,060	1,060	1,060	1,060	1,060	1,088	1,088
<b>G</b> (mm)	2 RM	380 ant 355 post	380 ant 355 post	405 ant 330 post	405 ant 330 post	430 ant 355 post	430 ant 355 post	470 ant 390 post	470 ant 390 post
	4 RM	270 ant 295 post	270 ant 295 post	306 ant 355 post	306 ant 355 post	295 ant 355 post	295 ant 355 post	390 ant 395 post	390 ant 395 post
<b>H</b> (mm)	2 WD	1,158	1,158	1,158	1,158	1,158	1,158	1,132	1,132
	4 WD	1,158	1,158	1,158	1,158	1,182	1,182	1,149	1,149
<b>R</b>	2 WD	20°	20°	20°	20°	20°	20°	20° 40'	20° 40'
	4 WD	20°	20°	22°	22°	25° 30'	25° 30'	28° 10'	28° 10'
<b>K</b>	2 WD	22° 30'	22° 30'	24°	24°	24°	24°	28° 40'	28° 40'
	4 WD	22° 30'	22° 30'	24°	24°	24°	24°	28° 40'	28° 40'
<b>Front Tyres</b>	2 WD	7.50 ÷ R16	7.50 ÷ R16	7.50 ÷ R16	7.50 ÷ R16	7.50 ÷ R16	7.50 ÷ R16	7.50 ÷ R16	7.50 ÷ R16
	4 WD	7.50 ÷ R16	7.50 ÷ R16	280/70R18	280/70R18	320/70R20	320/70R20	11.2R24 280/85R24	11.2R24 280/85R24
<b>Rear Tyres</b>	2 WD	12.4R28 320/85R28	12.4R28 320/85R28	14.9R28 380/85R28	14.9R28 380/85R28	14.9R28 380/85R28	14.9R28 380/85R28	12.4R36 320/85R36	12.4R36 320/85R36
	4 WD	12.4R28 320/85R28	12.4R28 320/85R28	14.9R28 380/85R28	14.9R28 380/85R28	14.9R28 380/85R28	14.9R28 380/85R28	16.9R30 420/85R30	16.9R30 420/85R30
<b>Weight **</b> (w/o front weights)	2 WD	2,555 kg	2,340 kg	2,775 kg	2,540 kg	2,825 kg	2,590 kg	2,900 kg	2,700 kg
	4 WD	2,645 kg	2,430 kg	2,905 kg	2,670 kg	2,965 kg	2,730 kg	3,065 kg	2,865 kg

\* A, A 1, D with NEF motor: +87 mm / \*\* Weight with NEF motor: +70 kg

---

## Vineyard / Wide Vineyard / Orchard



---

## Light Utility

