

Agricube Technical Data

Orchard

	70 F	80 F	90 F	100 F
ENGINE				
Engine manufacture	FPT	FPT	FPT	FPT
Engine name	F5C (EURO III A)	F5C (EURO III A)	F5C (EURO III A)	NEF (EURO III A)
Displacement	3,200 c ³	3,200 c ³	3,200 c ³	4,500 c ³
Number of cylinders/Configuration	4 turbo	4 turbo intercooler	4 turbo intercooler	4 turbo intercooler
Cooling system	Liquid cooled	Liquid cooled	Liquid cooled	Liquid cooled
Maximum power ISO kW/hp	53 / 72.1	57 / 77.5	65 / 88.4	74 / 100.6
PTO power ISO kW/hp	42 / 57	46 / 62	55 / 75	63 / 86
Rated engine speed	2,300	2,300	2,300	2,200
Maximum torque speed	1,250	1,250	1,300	1,250
Maximum torque	290 Nm@1,250 rpm	330 Nm@1,250 rpm	350 Nm@1,300 rpm	430 Nm@1,250 rpm
Torque rise	25%	32%	36%	28%
Fuel tank capacity	71 l	71 l	71 l	71 l
Fuel tank capacity with Front PTO	50 l	50 l	50 l	50 l
Auxiliary tank capacity (option, mandatory with Front PTO)	19 l	19 l	19 l	19 l
Exhaust	Horizontal	Horizontal	Horizontal	Horizontal
ELECTRIC SYSTEM				
Battery	100 Ah	100 Ah	100 Ah	100 Ah
Alternator	80 A	80 A	80 A	90 A
Engine start	4.2 kW	4.2 kW	4.2 kW	4.2 kW
TRANSMISSION				
12+12 12 front 12 rear	Gear Levers: lateral · Gear Box: 4 gear synchro Range: 3 gear range L / M / Hi collar shift · Reverser: mechanical Minimum tractor speed: 1.5 km/h with rear tyre 14.9R28 Maximum tractor speed: 30 km/h with rear tyre 14.9R28			
24+24 24 front 24 rear	Gear Levers: Lateral · Gear Box: 4 gear synchro Range: 3 gear range L / M / Hi collar shift · HI-LO: mechanical · Reverser: mechanical Minimum tractor speed: 0.5 km/h with rear tyre 14.9R28 Maximum tractor speed: 40 km/h with rear tyre 14.9R28			
24+24 24 front 24 rear	Gear Levers: Lateral · Gear Box: 4 gear synchro Range: 3 gear range L / M / Hi collar shift · HI-LO: electrohydraulic Reverser: mechanical · Minimum tractor speed: 0.5 km/h with rear tyre 14.9R28 Maximum tractor speed: 40 km/h with rear tyre 14.9R28			
24+12 24 front 12 rear	Gear Levers: Lateral · Gear Box: 4 gear synchro Range: 3 gear range L / M / Hi collar shift · HI-LO: electrohydraulic Reverser: electrohydraulic · Minimum tractor speed: 0.5 km/h with rear tyre 14.9R28 Maximum tractor speed: 40 km/h with rear tyre 14.9R28			
MECHANICAL POWER TAKE OFF				
Speed option (dry disc clutch)	540 - 540/540 E - 540/1,000			
Ground drive PTO	Option			
Speed indicator on dashboard	Base			
ELECTRO HYDRAULIC POWER TAKE OFF				
Speed option (Wet disc clutch)	540/540 E - 540/1,000			
Ground drive PTO	Base			
Speed indicator on dashboard	Base			

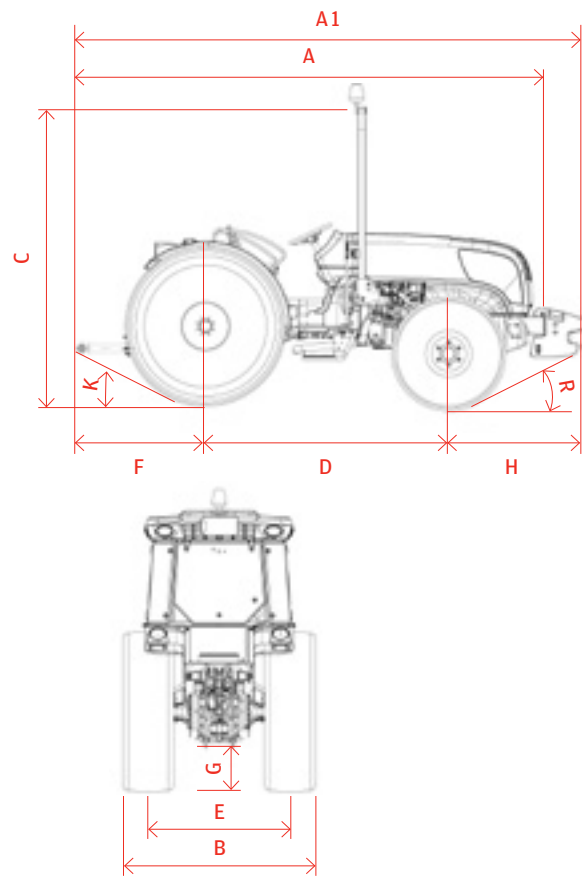
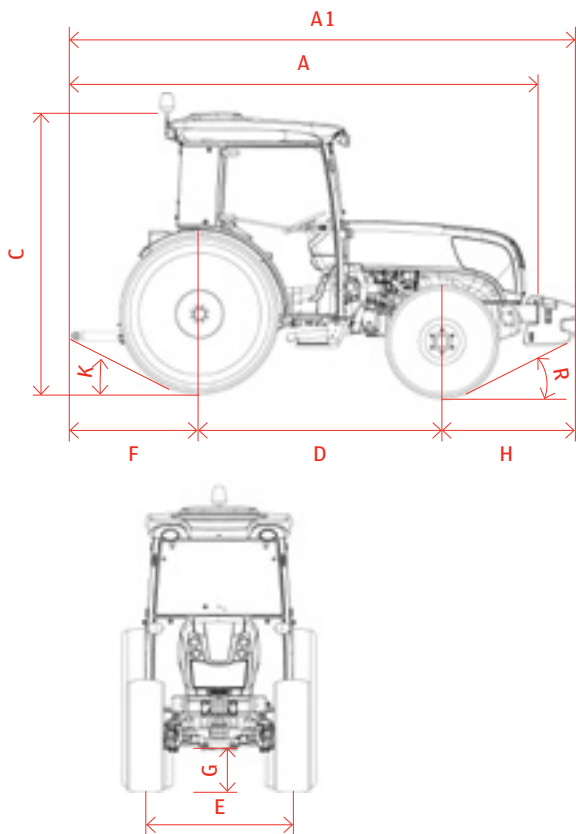
CLUTCH	
Dry independent	11"
BRAKES	
Brake actuation	Mechanical & Hydraulic integrated
Brake configuration	Oil wet disk
REAR DIFFERENTIAL LOCK	
Type	Mechanical
Actuation	Electrohydraulic
FRONT AXLE	
Maximum steering angle	52°
Tilt angle	8°
Flange distance	1,325 mm
4WD actuation	Electrohydraulic
Differential lock	Self-locking
REAR AXLE	
Type	Epicyclic
Ratio	6:1
Flange distance	1,242 mm
HYDRAULIC SYSTEM	
Pumps capacity (lt/min)	With 2 pumps (base): 61.2 + 24.8 With 3 pumps (option): 41.5 + 35 + 24.8
Distributors	1 SE + 1 DE 3 Pos / 1 SE + 1 DE 4 Pos with neutral simple return (4 rear exits), flow control for simultaneous use of distributor and lift
THREE POINT HITCH	
Maximum lift capacity	2,600 kg (base) - 3,000 kg (option)
Lift	Mechanical with position, draft, mix control (base) - Electronic (option)
Three point hitch category	1/1N/2 Cat.
Lower links	Fixed, ball-type, Cat. 1 Adjustable, ball-type, Cat. 1/1N Quick coupling, adjustable, Cat. 1/1N
TOW HOOKS	
Pins/Sliding	Category Cuna C (basic), Category Cuna C + D2 (optional)
FRONT WEIGHTS	
Option	4 elements x 30 kg (120 kg) 6 elements x 30 kg (180 kg) 10 elements x 30 kg (300 kg)
DRIVER SEAT OOS	
Platform	Suspended, insonorized, on 4 silent blocks
Front rops	Front tiltable roll bar
Steering wheel	Fixed (base), Telescopic & tiltable (option)
Seat	Mechanical suspended seat in Pvc (base), Pneumatic suspended seat in Pvc (option)
Mirror	LH Rearview mirror (base) - RH Rearview mirror (option)
Dashboard	Multifunction
Operator's Manual	English/Italian version (base)
DRIVER SEAT CABIN VERSION	
Cabin	Insonorised, on 4 silent block suspended, ventilated and heated version (base) Insonorised, on 4 silent block suspended, heated and air conditioning version (option)
Steering wheel	Fixed (base), Telescopic & tiltable (option)
Seat	Mechanical suspended seat in textile (base), Pneumatic suspended seat in textile (option)
Mirror	2 external rearview mirrors RH & LH
Dashboard	Multifunction
Operator's Manual	English/Italian version (base)

Agricube Measurements

	Vineyard		Wide Vineyard		Orchard		Light Utility		
	CAB	OOS	CAB	OOS	CAB	OOS	CAB	OOS	
A * (mm)	2 WD	3,991	3,991	3,991	3,991	3,991	3,991	4,019	4,019
	4 WD	3,991	3,991	3,991	3,991	3,991	3,991	4,019	4,019
A 1 * (mm)	2 WD	4,316	4,316	4,316	4,316	4,316	4,316	4,335	4,335
	4 WD	4,316	4,316	4,316	4,316	4,316	4,316	4,335	4,335
B max (mm)	2 WD	1,700	1,700	1,900	1,900	1,980	1,980	2,230	2,230
	4 WD	1,700	1,700	1,900	1,900	1,980	1,980	2,230	2,230
C (mm)	2 WD	2,335	2,482	2,385	2,533	2,385	2,533	2,424	2,667
	4 WD	2,335	2,482	2,385	2,533	2,385	2,533	2,424	2,667
D * (mm)	2 WD	2,098	2,098	2,098	2,098	2,098	2,098	2,115	2,115
	4 WD	2,098	2,098	2,098	2,098	2,074	2,074	2,098	2,098
E front (mm)	2 WD	776 ÷ 1,374	776 ÷ 1,374	776 ÷ 1,374	776 ÷ 1,374	997 ÷ 1,566	997 ÷ 1,566	1,438 ÷ 1,576	1,438 ÷ 1,576
	4 WD	822 ÷ 1,022	822 ÷ 1,022	846 ÷ 1,110	846 ÷ 1,110	997 ÷ 1,625	997 ÷ 1,625	1,311 ÷ 1,939	1,311 ÷ 1,939
E rear (mm)	2 WD	896 ÷ 1,296	896 ÷ 1,296	928 ÷ 1,376	928 ÷ 1,376	1,102 ÷ 1,646	1,102 ÷ 1,646	1,384 ÷ 1,922	1,384 ÷ 1,922
	4 WD	896 ÷ 1,296	896 ÷ 1,296	928 ÷ 1,376	928 ÷ 1,376	1,102 ÷ 1,646	1,102 ÷ 1,646	1,384 ÷ 1,922	1,384 ÷ 1,922
F (mm)	2 WD	1,060	1,060	1,060	1,060	1,060	1,060	1,088	1,088
	4 WD	1,060	1,060	1,060	1,060	1,060	1,060	1,088	1,088
G (mm)	2 RM	380 ant 355 post	380 ant 355 post	405 ant 330 post	405 ant 330 post	430 ant 355 post	430 ant 355 post	470 ant 390 post	470 ant 390 post
	4 RM	270 ant 295 post	270 ant 295 post	306 ant 355 post	306 ant 355 post	295 ant 355 post	295 ant 355 post	390 ant 395 post	390 ant 395 post
H (mm)	2 WD	1,158	1,158	1,158	1,158	1,158	1,158	1,132	1,132
	4 WD	1,158	1,158	1,158	1,158	1,182	1,182	1,149	1,149
R	2 WD	20°	20°	20°	20°	20°	20°	20° 40'	20° 40'
	4 WD	20°	20°	22°	22°	25° 30'	25° 30'	28° 10'	28° 10'
K	2 WD	22° 30'	22° 30'	24°	24°	24°	24°	28° 40'	28° 40'
	4 WD	22° 30'	22° 30'	24°	24°	24°	24°	28° 40'	28° 40'
Front Tyres	2 WD	7.50 ÷ R16	7.50 ÷ R16	7.50 ÷ R16	7.50 ÷ R16	7.50 ÷ R16	7.50 ÷ R16	7.50 ÷ R16	7.50 ÷ R16
	4 WD	7.50 ÷ R16	7.50 ÷ R16	280/70R18	280/70R18	320/70R20	320/70R20	11.2R24 280/85R24	11.2R24 280/85R24
Rear Tyres	2 WD	12.4R28 320/85R28	12.4R28 320/85R28	14.9R28 380/85R28	14.9R28 380/85R28	14.9R28 380/85R28	14.9R28 380/85R28	12.4R36 320/85R36	12.4R36 320/85R36
	4 WD	12.4R28 320/85R28	12.4R28 320/85R28	14.9R28 380/85R28	14.9R28 380/85R28	14.9R28 380/85R28	14.9R28 380/85R28	16.9R30 420/85R30	16.9R30 420/85R30
Weight ** (w/o front weights)	2 WD	2,555 kg	2,340 kg	2,775 kg	2,540 kg	2,825 kg	2,590 kg	2,900 kg	2,700 kg
	4 WD	2,645 kg	2,430 kg	2,905 kg	2,670 kg	2,965 kg	2,730 kg	3,065 kg	2,865 kg

* A, A 1, D with NEF motor: +87 mm / ** Weight with NEF motor: +70 kg

Vineyard / Wide Vineyard / Orchard



Light Utility

