

Agricube Technical Data

Vineyard

	70 V	80 V
ENGINE		
Engine manufacture	FPT	FPT
Engine name	F5C (EURO III A)	F5C (EURO III A)
Displacement	3,200 c ³	3,200 c ³
Number of cylinders/Configuration	4 turbo	4 turbo intercooler
Cooling system	Liquid cooled	Liquid cooled
Maximum power ISO kW/hp	53/72.1	57/77.5
PTO power ISO kW/hp	42/57	46/62
Rated engine speed	2,300	2,300
Maximum torque speed	1,250	1,250
Maximum torque	290 Nm@1,250 rpm	330 Nm@1,250 rpm
Torque rise	25%	32%
Fuel tank capacity	71 l	71 l
Fuel tank capacity with Front PTO	50 l	50 l
Auxiliary tank capacity (option, mandatory with Front PTO)	19 l	19 l
Exhaust	Horizontal	Horizontal
ELECTRIC SYSTEM		
Battery	100 Ah	100 Ah
Alternator	80 A	80 A
Engine start	4.2 kW	4.2 kW
TRANSMISSION		
12+12 12 front 12 rear	Gear Levers: lateral · Gear Box: 4 gear synchro Range: 3 gear range L/M/Hi collar shift · Reverser: mechanical Minimum tractor speed: 1.4 km/h with rear tyre 13.6R28 Maximum tractor speed: 30 km/h with rear tyre 13.6R28	
24+24 24 front 24 rear	Gear Levers: lateral · Gear Box: 4 gear synchro Range: 3 gear range L/M/Hi collar shift · HI-LO: mechanical · Reverser: mechanical Minimum tractor speed: 0.5 km/h with rear tyre 13.6R28 Maximum tractor speed: 40 km/h with rear tyre 13.6R28	
24+24 24 front 24 rear	Gear Levers: lateral · Gear Box: 4 gear synchro Range: 3 gear range L/M/Hi collar shift · HI-LO: electrohydraulic Reverser: mechanical · Minimum tractor speed: 0.5 km/h with rear tyre 13.6R28 Maximum tractor speed: 40 km/h with rear tyre 13.6R28	
24+12 24 front 12 rear	Gear Levers: lateral · Gear Box: 4 gear synchro Range: 3 gear range L/M/Hi collar shift · HI-LO: electrohydraulic Reverser: electrohydraulic · Minimum tractor speed: 0.5 km/h with rear tyre 13.6R28 Maximum tractor speed: 40 km/h with rear tyre 13.6R28	
MECHANICAL POWER TAKE OFF		
Speed option (dry disc clutch)	540 - 540/540 E - 540/1,000	
Ground drive PTO	Option	
Speed indicator on dashboard	Base	
ELECTRO HYDRAULIC POWER TAKE OFF		
Speed option (Wet disc clutch)	540/540 E - 540/1,000	
Ground drive PTO	Base	
Speed indicator on dashboard	Base	

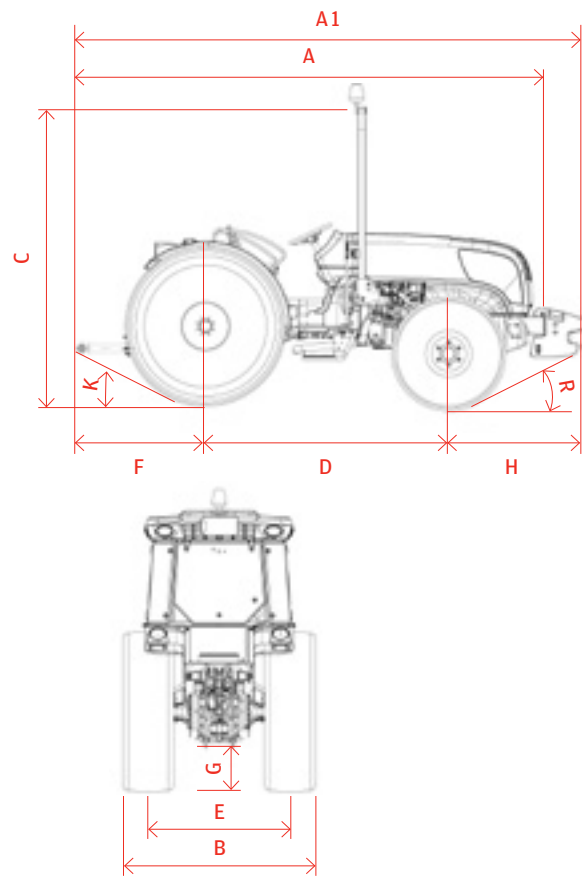
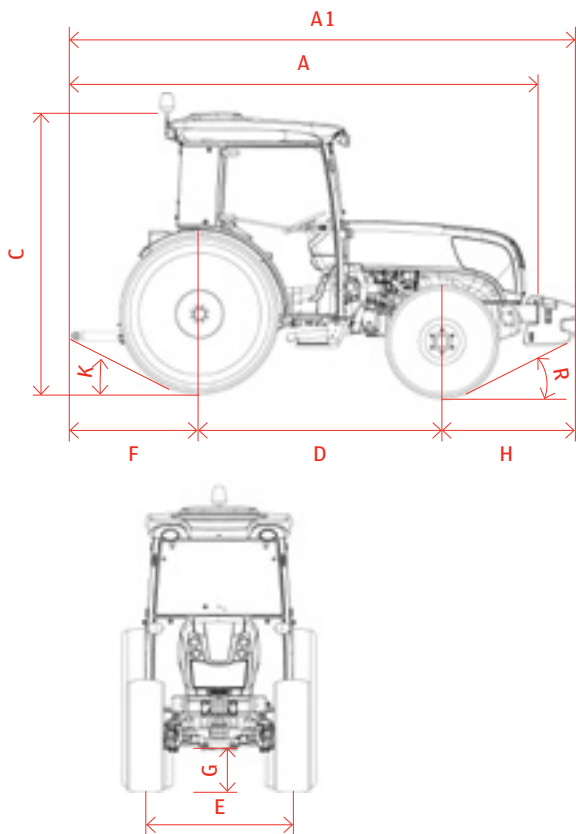
CLUTCH		
Dry independent	11"	
BRAKES		
Brake actuation	Mechanical & Hydraulic integrated	
Brake configuration	Oil wet disk	
REAR DIFFERENTIAL LOCK		
Type	Mechanical	
Actuation	Electrohydraulic	
FRONT AXLE		
Maximum steering angle	55°	
Tilt angle	8°	
Flange distance	925 mm	
4WD actuation	Electrohydraulic	
Differential lock	Self-locking	
REAR AXLE		
Type	Epiciclic	
Ratio	6:1	
Flange distance	892 mm	
HYDRAULIC SYSTEM		
Pumps capacity (lt/min) with 2 pumps (base)	61.2 + 24.8	61.2 + 24.9
Pumps capacity (lt/min) with 3 pumps (option)	41.5 + 35 + 24.8	41.5 + 35 + 24.9
Distributors	1 SE + 1 DE 3 Pos / 1 SE + 1 DE 4 Pos with neutral simple return (4 rear exits), flow control for action	
THREE POINT HITCH AND LIFT CAPACITY		
Maximum lift capacity	2,600 kg	
Lift	Mechanical with position, draft, mix control (base) - Electronic (option)	
Three point hitch category	1/1N Cat.	
Lower links	Fixed, ball-type, Cat. 1 Adjustable, ball-type, Cat. 1/1N Quick coupling, adjustable, Cat. 1/1N	
TOW HOOKS		
Pins/Sliding	Category Cuna C (basic), Category Cuna C + D2 (optional)	
FRONT WEIGHTS		
Option	4 elements x 30 kg (120 kg)	
DRIVER SEAT OOS		
Platform	Suspended, insonorized on 4 silent blocks	
Front rops	Front tiltable roll bar	
Steering wheel	Fixed (base), Telescopic & tiltable (option)	
Seat	Mechanical suspended seat in Pvc (base), Pneumatic suspended seat in Pvc (option)	
Mirror	LH rearview mirror (base) - RH rearview mirror (option)	
Dashboard	Multifunction	
Operator's Manual	English/Italian version (base)	
DRIVER SEAT CABIN VERSION		
Cabin	Insonorised, on 4 silent block suspended, ventilated and heated version (base) Insonorised, on 4 silent block suspended, heated and air conditioning version (option)	
Steering wheel	Fixed (base), Telescopic & tiltable (option)	
Seat	Mechanical suspended seat in textile (base), Pneumatic suspended seat in textile (option)	
Mirror	2 external rearview mirrors LH & RH - 1 internal rear view (option)	
Dashboard	Multifunction	
Operator's Manual	English/Italian version (base)	

Agricube Measurements

	Vineyard		Wide Vineyard		Orchard		Light Utility		
	CAB	OOS	CAB	OOS	CAB	OOS	CAB	OOS	
A * (mm)	2 WD	3,991	3,991	3,991	3,991	3,991	3,991	4,019	4,019
	4 WD	3,991	3,991	3,991	3,991	3,991	3,991	4,019	4,019
A 1 * (mm)	2 WD	4,316	4,316	4,316	4,316	4,316	4,316	4,335	4,335
	4 WD	4,316	4,316	4,316	4,316	4,316	4,316	4,335	4,335
B max (mm)	2 WD	1,700	1,700	1,900	1,900	1,980	1,980	2,230	2,230
	4 WD	1,700	1,700	1,900	1,900	1,980	1,980	2,230	2,230
C (mm)	2 WD	2,335	2,482	2,385	2,533	2,385	2,533	2,424	2,667
	4 WD	2,335	2,482	2,385	2,533	2,385	2,533	2,424	2,667
D * (mm)	2 WD	2,098	2,098	2,098	2,098	2,098	2,098	2,115	2,115
	4 WD	2,098	2,098	2,098	2,098	2,074	2,074	2,098	2,098
E front (mm)	2 WD	776 ÷ 1,374	776 ÷ 1,374	776 ÷ 1,374	776 ÷ 1,374	997 ÷ 1,566	997 ÷ 1,566	1,438 ÷ 1,576	1,438 ÷ 1,576
	4 WD	822 ÷ 1,022	822 ÷ 1,022	846 ÷ 1,110	846 ÷ 1,110	997 ÷ 1,625	997 ÷ 1,625	1,311 ÷ 1,939	1,311 ÷ 1,939
E rear (mm)	2 WD	896 ÷ 1,296	896 ÷ 1,296	928 ÷ 1,376	928 ÷ 1,376	1,102 ÷ 1,646	1,102 ÷ 1,646	1,384 ÷ 1,922	1,384 ÷ 1,922
	4 WD	896 ÷ 1,296	896 ÷ 1,296	928 ÷ 1,376	928 ÷ 1,376	1,102 ÷ 1,646	1,102 ÷ 1,646	1,384 ÷ 1,922	1,384 ÷ 1,922
F (mm)	2 WD	1,060	1,060	1,060	1,060	1,060	1,060	1,088	1,088
	4 WD	1,060	1,060	1,060	1,060	1,060	1,060	1,088	1,088
G (mm)	2 RM	380 ant 355 post	380 ant 355 post	405 ant 330 post	405 ant 330 post	430 ant 355 post	430 ant 355 post	470 ant 390 post	470 ant 390 post
	4 RM	270 ant 295 post	270 ant 295 post	306 ant 355 post	306 ant 355 post	295 ant 355 post	295 ant 355 post	390 ant 395 post	390 ant 395 post
H (mm)	2 WD	1,158	1,158	1,158	1,158	1,158	1,158	1,132	1,132
	4 WD	1,158	1,158	1,158	1,158	1,182	1,182	1,149	1,149
R	2 WD	20°	20°	20°	20°	20°	20°	20° 40'	20° 40'
	4 WD	20°	20°	22°	22°	25° 30'	25° 30'	28° 10'	28° 10'
K	2 WD	22° 30'	22° 30'	24°	24°	24°	24°	28° 40'	28° 40'
	4 WD	22° 30'	22° 30'	24°	24°	24°	24°	28° 40'	28° 40'
Front Tyres	2 WD	7.50 ÷ R16	7.50 ÷ R16	7.50 ÷ R16	7.50 ÷ R16	7.50 ÷ R16	7.50 ÷ R16	7.50 ÷ R16	7.50 ÷ R16
	4 WD	7.50 ÷ R16	7.50 ÷ R16	280/70R18	280/70R18	320/70R20	320/70R20	11.2R24 280/85R24	11.2R24 280/85R24
Rear Tyres	2 WD	12.4R28 320/85R28	12.4R28 320/85R28	14.9R28 380/85R28	14.9R28 380/85R28	14.9R28 380/85R28	14.9R28 380/85R28	12.4R36 320/85R36	12.4R36 320/85R36
	4 WD	12.4R28 320/85R28	12.4R28 320/85R28	14.9R28 380/85R28	14.9R28 380/85R28	14.9R28 380/85R28	14.9R28 380/85R28	16.9R30 420/85R30	16.9R30 420/85R30
Weight ** (w/o front weights)	2 WD	2,555 kg	2,340 kg	2,775 kg	2,540 kg	2,825 kg	2,590 kg	2,900 kg	2,700 kg
	4 WD	2,645 kg	2,430 kg	2,905 kg	2,670 kg	2,965 kg	2,730 kg	3,065 kg	2,865 kg

* A, A 1, D with NEF motor: +87 mm / ** Weight with NEF motor: +70 kg

Vineyard / Wide Vineyard / Orchard



Light Utility

