



AGRICUBE
Tractors for Specialists

Welcome Agricube!

Featuring an elegant design and a renewed style, the new Carraro Agricube Series range is presented to the specialised tractor market to meet the many demands of this sector. The new Agricube Series with FPT engines has been designed to blend the Performance, Quality, Trust features with the Versatility of its wide range of applications, from the vineyard to the open field. Its compact design and high choice of configurations coupled with the comfort offered by the modern ergonomic solutions, make Agricube the perfect tractor for all the various activities typical of specialistic sectors.





Agricube

Vineyard / Wide Vineyard / Orchard



The range

- › New design and new contents: the Agricube Orchard / Wide Vineyard / Vineyard series is available with FPT F5C engines in powers of 72, 78 and 88 hp and with FPT NEF 100 hp
- › The three different axle widths, the availability of versions with cabin or platform, with tiltable front frame, the choice between the 2WD and 4WD versions, the wide range of transmissions and the options mix, all make this new series of tractors extremely versatile and well-suited to any needs
- › The availability of the option with built-in front power take-off and front lifter, Cat. II with lifting capacity of 1,300 kg, further enhances this range's great versatility
- › The entire range has a mechanical rear lift (basic version) and electronic rear lift with external lift control (optional extra). Both versions guarantee a lifting capacity of 26kN.



Compact

- › Agricube completes the range of specialized tractors with the Vineyard version
- › Available with cabin or platform with tiltable front roll bar, its compact dimensions and ergonomic design allow Agricube Vineyard to meet all the demands of those forced to work in narrow spaces, without renouncing the comfort
- › The overall minimum width guarantees maximum manouvability even in the most spatially demanding workplaces
- › Agricube Vineyard is available in 70 V and 80 V models, respectively produced with high-performance FPT F5C, 4 cylinder engines, with 72 and 78 hp turbo.

Agricube Features

Vineyard / Wide Vineyard / Orchard



Motor

- › The elegant monobloc hood is easy to open and close and makes access for maintenance simple, blending style and practicality.



Rear tow attachment and lifter

- › For the F and VL models a 30kN option is available, thanks to the use of an additional jack
- › The three-point hitch is available in the following configurations: with fixed, cat. 2 (F and VL) ball type lower links and 1 (V) adjustable ball type lower links, category 2/1/N (F and VL) and 1/1N (V) with adjustable quick couplers cat. 2/1/1N (F and VL) and 1/1N (V).



Remote control electronic lift

- › The electronic lift's remote control, positioned on both rear fenders, facilitates handling of the rear lift
- › The practical mechanical command remote control is available for the mechanical lift.



Hydraulic system

- › The hydraulic circuit capacity (86 l/min with two pumps in the basic configuration and 101 l/min with the three pump option), guarantees the capacity necessary to meet the highest technical working demands
- › Use of the lateral SCVs is comfortable and practical thanks to the easy access, with their position guaranteeing excellent visibility from the driving seat.



Cabin

- › Available ventilated/heated (base) or heated/air-conditioned (option)
- › Soundproofed platform suspended on 4 silent blocks
- › The new cabin for special tractors has been designed to provide all the necessary comforts. It is the perfect answer for those who rightly demand to work in a comfortable, yet practical, environment
- › The range includes: cabin width 1,200 mm for Orchard and Wide Vineyard models, cabin width 1,000 mm for Vineyard models.



Hydraulic system

- › Wide choice of distributor options for the specials range:
 - 2 DE distributors with 4 rear outputs push-pull, flow control on base plate for simultaneous action of distributor and lift
 - 3 DE distributors with 6 rear outputs push-pull, distributor flow control with 2 or 3 pumps
 - 3 DE distributors with 6 rear outputs and 4 side outputs, push-pull, distributor flow control with 2 or 3 pumps.



Driving seat

- › Comfortable, ergonomic and practical, operations are made even easier by the intuitive controls
- › Every single Agricube detail has been designed to simplify use and make driving a more pleasurable experience.



Details

- › Even the smallest detail has been developed to guarantee a compact, clear-cut, dynamic design: fundamental requirements for those working with specialised crops.

Agricube Technical Data

Vineyard

	70 V	80 V
ENGINE		
Engine manufacture	FPT	FPT
Engine name	F5C (EURO III A)	F5C (EURO III A)
Displacement	3,200 c ³	3,200 c ³
Number of cylinders/Configuration	4 turbo	4 turbo intercooler
Cooling system	Liquid cooled	Liquid cooled
Maximum power ISO kW/hp	53/72.1	57/77.5
PTO power ISO kW/hp	42/57	46/62
Rated engine speed	2,300	2,300
Maximum torque speed	1,250	1,250
Maximum torque	290 Nm@1,250 rpm	330 Nm@1,250 rpm
Torque rise	25%	32%
Fuel tank capacity	71 l	71 l
Fuel tank capacity with Front PTO	50 l	50 l
Auxiliary tank capacity (option, mandatory with Front PTO)	19 l	19 l
Exhaust	Horizontal	Horizontal
ELECTRIC SYSTEM		
Battery	100 Ah	100 Ah
Alternator	80 A	80 A
Engine start	4.2 kW	4.2 kW
TRANSMISSION		
12+12 12 front 12 rear	Gear Levers: lateral · Gear Box: 4 gear synchro Range: 3 gear range L/M/Hi collar shift · Reverser: mechanical Minimum tractor speed: 1.4 km/h with rear tyre 13.6R28 Maximum tractor speed: 30 km/h with rear tyre 13.6R28	
24+24 24 front 24 rear	Gear Levers: lateral · Gear Box: 4 gear synchro Range: 3 gear range L/M/Hi collar shift · HI-LO: mechanical · Reverser: mechanical Minimum tractor speed: 0.5 km/h with rear tyre 13.6R28 Maximum tractor speed: 40 km/h with rear tyre 13.6R28	
24+24 24 front 24 rear	Gear Levers: lateral · Gear Box: 4 gear synchro Range: 3 gear range L/M/Hi collar shift · HI-LO: electrohydraulic Reverser: mechanical · Minimum tractor speed: 0.5 km/h with rear tyre 13.6R28 Maximum tractor speed: 40 km/h with rear tyre 13.6R28	
24+12 24 front 12 rear	Gear Levers: lateral · Gear Box: 4 gear synchro Range: 3 gear range L/M/Hi collar shift · HI-LO: electrohydraulic Reverser: electrohydraulic · Minimum tractor speed: 0.5 km/h with rear tyre 13.6R28 Maximum tractor speed: 40 km/h with rear tyre 13.6R28	
MECHANICAL POWER TAKE OFF		
Speed option (dry disc clutch)	540 - 540/540 E - 540/1,000	
Ground drive PTO	Option	
Speed indicator on dashboard	Base	
ELECTRO HYDRAULIC POWER TAKE OFF		
Speed option (Wet disc clutch)	540/540 E - 540/1,000	
Ground drive PTO	Base	
Speed indicator on dashboard	Base	

CLUTCH		
Dry independent	11"	
BRAKES		
Brake actuation	Mechanical & Hydraulic integrated	
Brake configuration	Oil wet disk	
REAR DIFFERENTIAL LOCK		
Type	Mechanical	
Actuation	Electrohydraulic	
FRONT AXLE		
Maximum steering angle	55°	
Tilt angle	8°	
Flange distance	925 mm	
4WD actuation	Electrohydraulic	
Differential lock	Self-locking	
REAR AXLE		
Type	Epiciclic	
Ratio	6:1	
Flange distance	892 mm	
HYDRAULIC SYSTEM		
Pumps capacity (lt/min) with 2 pumps (base)	61.2 + 24.8	61.2 + 24.9
Pumps capacity (lt/min) with 3 pumps (option)	41.5 + 35 + 24.8	41.5 + 35 + 24.9
Distributors	1 SE + 1 DE 3 Pos / 1 SE + 1 DE 4 Pos with neutral simple return (4 rear exits), flow control for action	
THREE POINT HITCH AND LIFT CAPACITY		
Maximum lift capacity	2,600 kg	
Lift	Mechanical with position, draft, mix control (base) - Electronic (option)	
Three point hitch category	1/1N Cat.	
Lower links	Fixed, ball-type, Cat. 1 Adjustable, ball-type, Cat. 1/1N Quick coupling, adjustable, Cat. 1/1N	
TOW HOOKS		
Pins/Sliding	Category Cuna C (basic), Category Cuna C + D2 (optional)	
FRONT WEIGHTS		
Option	4 elements x 30 kg (120 kg)	
DRIVER SEAT OOS		
Platform	Suspended, insonorized on 4 silent blocks	
Front rops	Front tiltable roll bar	
Steering wheel	Fixed (base), Telescopic & tiltable (option)	
Seat	Mechanical suspended seat in Pvc (base), Pneumatic suspended seat in Pvc (option)	
Mirror	LH rearview mirror (base) - RH rearview mirror (option)	
Dashboard	Multifunction	
Operator's Manual	English/Italian version (base)	
DRIVER SEAT CABIN VERSION		
Cabin	Insonorised, on 4 silent block suspended, ventilated and heated version (base) Insonorised, on 4 silent block suspended, heated and air conditioning version (option)	
Steering wheel	Fixed (base), Telescopic & tiltable (option)	
Seat	Mechanical suspended seat in textile (base), Pneumatic suspended seat in textile (option)	
Mirror	2 external rearview mirrors LH & RH - 1 internal rear view (option)	
Dashboard	Multifunction	
Operator's Manual	English/Italian version (base)	

Agricube Technical Data

Wide Vineyard

	70 VL	80 VL	90 VL	100 VL
ENGINE				
Engine manufacture	FPT	FPT	FPT	FPT
Engine name	F5C (EURO III A)	F5C (EURO III A)	F5C (EURO III A)	NEF (EURO III A)
Displacement	3,200 c ³	3,200 c ³	3,200 c ³	4,500 c ³
Number of cylinders/Configuration	4 turbo	4 turbo intercooler	4 turbo intercooler	4 turbo intercooler
Cooling system	Liquid cooled	Liquid cooled	Liquid cooled	Liquid cooled
Maximum power ISO kW/hp	53 / 72.1	57 / 77.5	65 / 88.4	74 / 100.6
PTO power ISO kW/hp	42 / 57	46 / 62	55 / 75	63 / 86
Rated engine speed	2,300	2,300	2,300	2,200
Maximum torque speed	1,250	1,250	1,300	1,250
Maximum torque	290 Nm@1,250 rpm	330 Nm@1,250 rpm	350 Nm@1,300 rpm	430 Nm@1,250 rpm
Torque rise	25%	32%	36%	28%
Fuel tank capacity	71 l	71 l	71 l	71 l
Fuel tank capacity with Front PTO	50 l	50 l	50 l	50 l
Auxiliary tank capacity (option, mandatory with Front PTO)	19 l	19 l	19 l	19 l
Exhaust	Horizontal	Horizontal	Horizontal	Horizontal
ELECTRIC SYSTEM				
Battery	100 Ah	100 Ah	100 Ah	100 Ah
Alternator	80 A	80 A	80 A	90 A
Engine start	4.2 kW	4.2 kW	4.2 kW	4.2 kW
TRANSMISSION				
12+12 12 front 12 rear	Gear Levers: lateral · Gear Box: 4 gear synchro Range: 3 gear range L / M / Hi collar shift · Reverser: mechanical Minimum tractor speed: 1.5 km/h with rear tyre 14.9R28 Maximum tractor speed: 30 km/h with rear tyre 14.9R28			
24+24 24 front 24 rear	Gear Levers: lateral · Gear Box: 4 gear synchro Range: 3 gear range L / M / Hi collar shift · HI-LO: mechanical · Reverser: mechanical Minimum tractor speed: 0.5 km/h with rear tyre 14.9R28 Maximum tractor speed: 40 km/h with rear tyre 14.9R28			
24+24 24 front 24 rear	Gear Levers: lateral · Gear Box: 4 gear synchro Range: 3 gear range L / M / Hi collar shift · HI-LO: electrohydraulic Reverser: mechanical · Minimum tractor speed: 0.5 km/h with rear tyre 14.9R28 Maximum tractor speed: 40 km/h with rear tyre 14.9R28			
24+12 24 front 12 rear	Gear Levers: lateral · Gear Box: 4 gear synchro Range: 3 gear range L / M / Hi collar shift · HI-LO: electrohydraulic Reverser: electrohydraulic · Minimum tractor speed: 0.5 km/h with rear tyre 14.9R28 Maximum tractor speed: 40 km/h with rear tyre 14.9R28			
MECHANICAL POWER TAKE OFF				
Speed option (dry disc clutch)	540 - 540/540 E - 540/1,000			
Ground drive PTO	Option			
Speed indicator on dashboard	Base			
ELECTRO HYDRAULIC POWER TAKE OFF				
Speed option (Wet disc clutch)	540/540 E - 540/1,000			
Ground drive PTO	Base			
Speed indicator on dashboard	Base			

CLUTCH	
Dry independent	11"
BRAKES	
Brake actuation	Mechanical & Hydraulic integrated
Brake configuration	Oil wet disk
REAR DIFFERENTIAL LOCK	
Type	Mechanical
Actuation	Electrohydraulic
FRONT AXLE	
Maximum steering angle	54°
Tilt angle	8°
Flange distance	990 mm
4WD Actuation	Electrohydraulic
Differential lock	Self-locking
REAR AXLE	
Type	Epicyclic
Ratio	6:1
Flange distance	972 mm
HYDRAULIC SYSTEM	
Pumps capacity (lt/min)	With 2 pumps (base): 61.2 + 24.8 With 3 pumps (option): 41.5 + 35 + 24.8
Distributors	1 SE + 1 DE 3 Pos / 1 SE + 1 DE 4 Pos with neutral simple return (4 rear exits), flow control for simultaneous use of distributor and lift
THREE POINT HITCH AND LIFT CAPACITY	
Maximum lift capacity	2,600 kg (base) - 3,000 kg (option)
Lift	Mechanical with position, draft, mix control (base) - Electronic (option)
Three point hitch category	1/1N/2 Cat.
Lower links	Fixed, ball-type, Cat. 1 Adjustable, ball-type, Cat. 1/1N Quick coupling, adjustable, Cat. 1/1N
TOW HOOKS	
Pins/Sliding	Category Cuna C (basic), Category Cuna C + D2 (optional)
FRONT WEIGHTS	
Option	4 elements x 30 kg (120 kg) 6 elements x 30 kg (180 kg) 10 elements x 30 kg (300 kg)
DRIVER SEAT OOS	
Platform	Suspended, insonorized on 4 silent blocks
Front rops	Front tiltable roll bar
Steering wheel	Fixed (base), Telescopic & tiltable (option)
Seat	Mechanical suspended seat in Pvc (base), Pneumatic suspended seat in Pvc (option)
Mirror	LH Rearview mirror (base) - RH Rearview mirror (option)
Dashboard	Multifunction
Operator's Manual	English/ Italian version (base)
DRIVER SEAT CABIN VERSION	
Cabin	Insonorised, on 4 silent block suspended, ventilated and heated version (base) Insonorised, on 4 silent block suspended, heated and air conditioning version (option)
Steering wheel	Fixed (base), Telescopic & tiltable (option)
Seat	Mechanical suspended seat in textile (base), Pneumatic suspended seat in textile (option)
Mirror	2 external rearview mirrors LH & RH - 1 internal rear view (option)
Dashboard	Multifunction
Operator's Manual	English/ Italian version (base)

Agricube Technical Data

Orchard

	70 F	80 F	90 F	100 F
ENGINE				
Engine manufacture	FPT	FPT	FPT	FPT
Engine name	F5C (EURO III A)	F5C (EURO III A)	F5C (EURO III A)	NEF (EURO III A)
Displacement	3,200 c ³	3,200 c ³	3,200 c ³	4,500 c ³
Number of cylinders/Configuration	4 turbo	4 turbo intercooler	4 turbo intercooler	4 turbo intercooler
Cooling system	Liquid cooled	Liquid cooled	Liquid cooled	Liquid cooled
Maximum power ISO kW/hp	53 / 72.1	57 / 77.5	65 / 88.4	74 / 100.6
PTO power ISO kW/hp	42 / 57	46 / 62	55 / 75	63 / 86
Rated engine speed	2,300	2,300	2,300	2,200
Maximum torque speed	1,250	1,250	1,300	1,250
Maximum torque	290 Nm@1,250 rpm	330 Nm@1,250 rpm	350 Nm@1,300 rpm	430 Nm@1,250 rpm
Torque rise	25%	32%	36%	28%
Fuel tank capacity	71 l	71 l	71 l	71 l
Fuel tank capacity with Front PTO	50 l	50 l	50 l	50 l
Auxiliary tank capacity (option, mandatory with Front PTO)	19 l	19 l	19 l	19 l
Exhaust	Horizontal	Horizontal	Horizontal	Horizontal
ELECTRIC SYSTEM				
Battery	100 Ah	100 Ah	100 Ah	100 Ah
Alternator	80 A	80 A	80 A	90 A
Engine start	4.2 kW	4.2 kW	4.2 kW	4.2 kW
TRANSMISSION				
12+12 12 front 12 rear	Gear Levers: lateral · Gear Box: 4 gear synchro Range: 3 gear range L / M / Hi collar shift · Reverser: mechanical Minimum tractor speed: 1.5 km/h with rear tyre 14.9R28 Maximum tractor speed: 30 km/h with rear tyre 14.9R28			
24+24 24 front 24 rear	Gear Levers: Lateral · Gear Box: 4 gear synchro Range: 3 gear range L / M / Hi collar shift · HI-LO: mechanical · Reverser: mechanical Minimum tractor speed: 0.5 km/h with rear tyre 14.9R28 Maximum tractor speed: 40 km/h with rear tyre 14.9R28			
24+24 24 front 24 rear	Gear Levers: Lateral · Gear Box: 4 gear synchro Range: 3 gear range L / M / Hi collar shift · HI-LO: electrohydraulic Reverser: mechanical · Minimum tractor speed: 0.5 km/h with rear tyre 14.9R28 Maximum tractor speed: 40 km/h with rear tyre 14.9R28			
24+12 24 front 12 rear	Gear Levers: Lateral · Gear Box: 4 gear synchro Range: 3 gear range L / M / Hi collar shift · HI-LO: electrohydraulic Reverser: electrohydraulic · Minimum tractor speed: 0.5 km/h with rear tyre 14.9R28 Maximum tractor speed: 40 km/h with rear tyre 14.9R28			
MECHANICAL POWER TAKE OFF				
Speed option (dry disc clutch)	540 - 540/540 E - 540/1,000			
Ground drive PTO	Option			
Speed indicator on dashboard	Base			
ELECTRO HYDRAULIC POWER TAKE OFF				
Speed option (Wet disc clutch)	540/540 E - 540/1,000			
Ground drive PTO	Base			
Speed indicator on dashboard	Base			

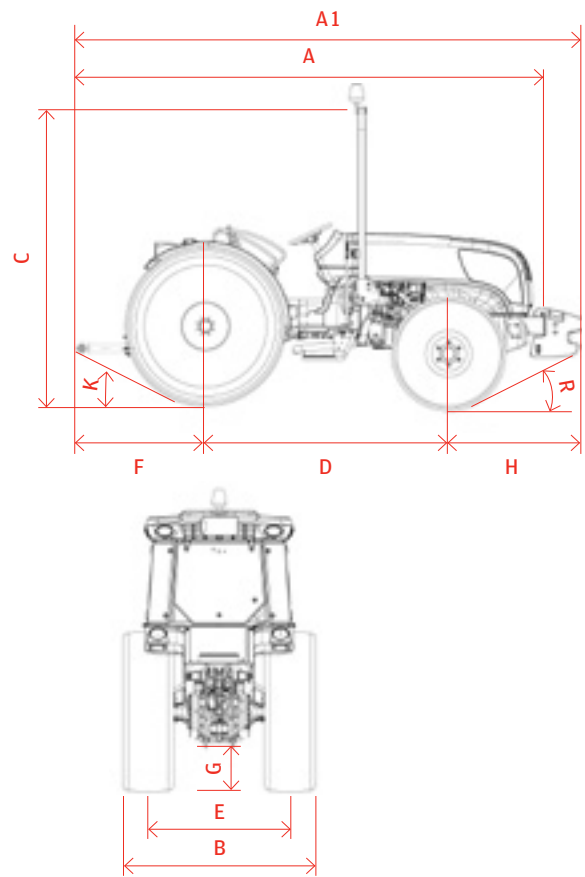
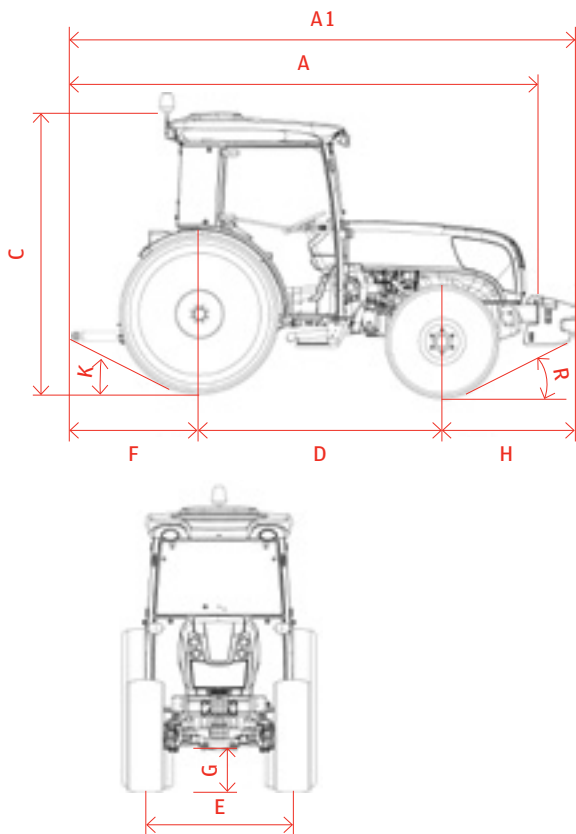
CLUTCH	
Dry independent	11"
BRAKES	
Brake actuation	Mechanical & Hydraulic integrated
Brake configuration	Oil wet disk
REAR DIFFERENTIAL LOCK	
Type	Mechanical
Actuation	Electrohydraulic
FRONT AXLE	
Maximum steering angle	52°
Tilt angle	8°
Flange distance	1,325 mm
4WD actuation	Electrohydraulic
Differential lock	Self-locking
REAR AXLE	
Type	Epicyclic
Ratio	6:1
Flange distance	1,242 mm
HYDRAULIC SYSTEM	
Pumps capacity (lt/min)	With 2 pumps (base): 61.2 + 24.8 With 3 pumps (option): 41.5 + 35 + 24.8
Distributors	1 SE + 1 DE 3 Pos / 1 SE + 1 DE 4 Pos with neutral simple return (4 rear exits), flow control for simultaneous use of distributor and lift
THREE POINT HITCH	
Maximum lift capacity	2,600 kg (base) - 3,000 kg (option)
Lift	Mechanical with position, draft, mix control (base) - Electronic (option)
Three point hitch category	1/1N/2 Cat.
Lower links	Fixed, ball-type, Cat. 1 Adjustable, ball-type, Cat. 1/1N Quick coupling, adjustable, Cat. 1/1N
TOW HOOKS	
Pins/Sliding	Category Cuna C (basic), Category Cuna C + D2 (optional)
FRONT WEIGHTS	
Option	4 elements x 30 kg (120 kg) 6 elements x 30 kg (180 kg) 10 elements x 30 kg (300 kg)
DRIVER SEAT OOS	
Platform	Suspended, insonorized, on 4 silent blocks
Front rops	Front tiltable roll bar
Steering wheel	Fixed (base), Telescopic & tiltable (option)
Seat	Mechanical suspended seat in Pvc (base), Pneumatic suspended seat in Pvc (option)
Mirror	LH Rearview mirror (base) - RH Rearview mirror (option)
Dashboard	Multifunction
Operator's Manual	English/ Italian version (base)
DRIVER SEAT CABIN VERSION	
Cabin	Insonorised, on 4 silent block suspended, ventilated and heated version (base) Insonorised, on 4 silent block suspended, heated and air conditioning version (option)
Steering wheel	Fixed (base), Telescopic & tiltable (option)
Seat	Mechanical suspended seat in textile (base), Pneumatic suspended seat in textile (option)
Mirror	2 external rearview mirrors RH & LH
Dashboard	Multifunction
Operator's Manual	English/ Italian version (base)

Agricube Measurements

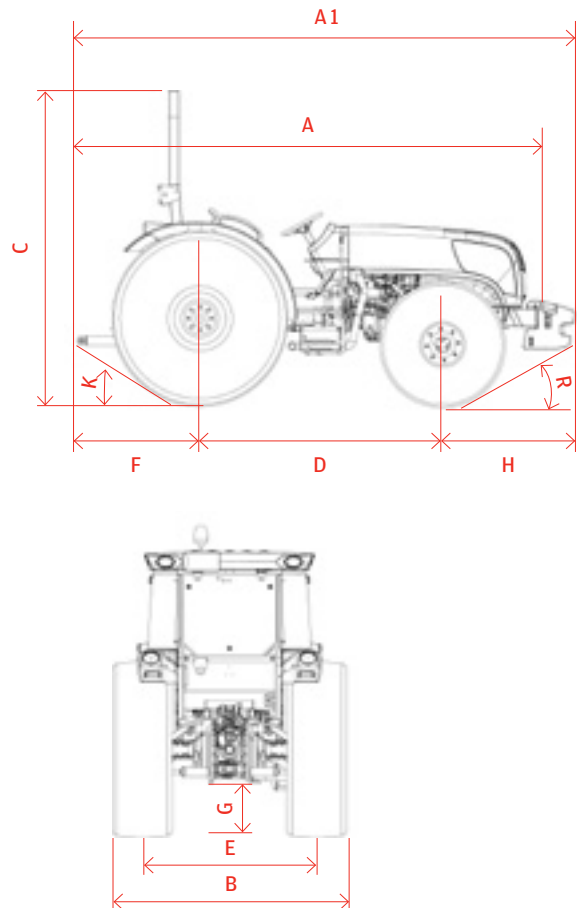
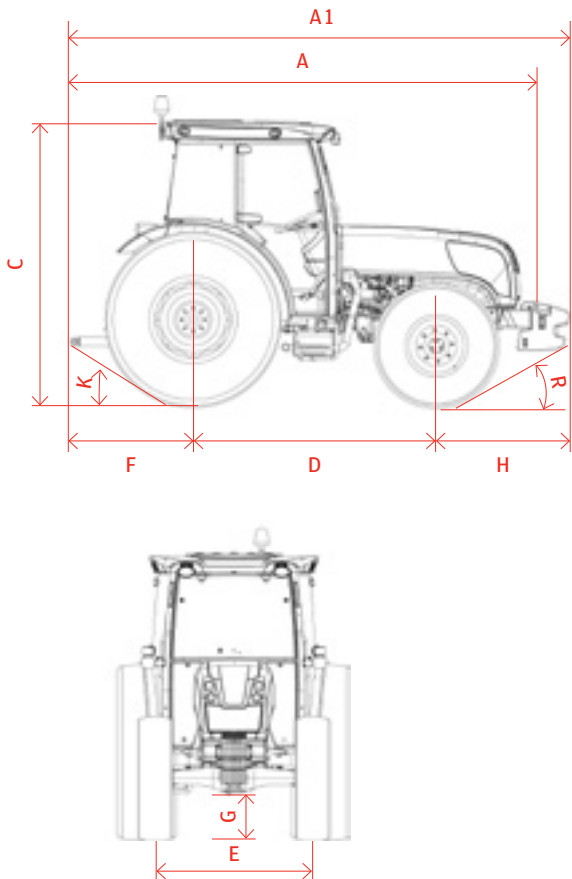
	Vineyard		Wide Vineyard		Orchard		Light Utility		
	CAB	OOS	CAB	OOS	CAB	OOS	CAB	OOS	
A * (mm)	2 WD	3,991	3,991	3,991	3,991	3,991	3,991	4,019	4,019
	4 WD	3,991	3,991	3,991	3,991	3,991	3,991	4,019	4,019
A 1 * (mm)	2 WD	4,316	4,316	4,316	4,316	4,316	4,316	4,335	4,335
	4 WD	4,316	4,316	4,316	4,316	4,316	4,316	4,335	4,335
B max (mm)	2 WD	1,700	1,700	1,900	1,900	1,980	1,980	2,230	2,230
	4 WD	1,700	1,700	1,900	1,900	1,980	1,980	2,230	2,230
C (mm)	2 WD	2,335	2,482	2,385	2,533	2,385	2,533	2,424	2,667
	4 WD	2,335	2,482	2,385	2,533	2,385	2,533	2,424	2,667
D * (mm)	2 WD	2,098	2,098	2,098	2,098	2,098	2,098	2,115	2,115
	4 WD	2,098	2,098	2,098	2,098	2,074	2,074	2,098	2,098
E front (mm)	2 WD	776 ÷ 1,374	776 ÷ 1,374	776 ÷ 1,374	776 ÷ 1,374	997 ÷ 1,566	997 ÷ 1,566	1,438 ÷ 1,576	1,438 ÷ 1,576
	4 WD	822 ÷ 1,022	822 ÷ 1,022	846 ÷ 1,110	846 ÷ 1,110	997 ÷ 1,625	997 ÷ 1,625	1,311 ÷ 1,939	1,311 ÷ 1,939
E rear (mm)	2 WD	896 ÷ 1,296	896 ÷ 1,296	928 ÷ 1,376	928 ÷ 1,376	1,102 ÷ 1,646	1,102 ÷ 1,646	1,384 ÷ 1,922	1,384 ÷ 1,922
	4 WD	896 ÷ 1,296	896 ÷ 1,296	928 ÷ 1,376	928 ÷ 1,376	1,102 ÷ 1,646	1,102 ÷ 1,646	1,384 ÷ 1,922	1,384 ÷ 1,922
F (mm)	2 WD	1,060	1,060	1,060	1,060	1,060	1,060	1,088	1,088
	4 WD	1,060	1,060	1,060	1,060	1,060	1,060	1,088	1,088
G (mm)	2 RM	380 ant 355 post	380 ant 355 post	405 ant 330 post	405 ant 330 post	430 ant 355 post	430 ant 355 post	470 ant 390 post	470 ant 390 post
	4 RM	270 ant 295 post	270 ant 295 post	306 ant 355 post	306 ant 355 post	295 ant 355 post	295 ant 355 post	390 ant 395 post	390 ant 395 post
H (mm)	2 WD	1,158	1,158	1,158	1,158	1,158	1,158	1,132	1,132
	4 WD	1,158	1,158	1,158	1,158	1,182	1,182	1,149	1,149
R	2 WD	20°	20°	20°	20°	20°	20°	20° 40'	20° 40'
	4 WD	20°	20°	22°	22°	25° 30'	25° 30'	28° 10'	28° 10'
K	2 WD	22° 30'	22° 30'	24°	24°	24°	24°	28° 40'	28° 40'
	4 WD	22° 30'	22° 30'	24°	24°	24°	24°	28° 40'	28° 40'
Front Tyres	2 WD	7.50 ÷ R16	7.50 ÷ R16	7.50 ÷ R16	7.50 ÷ R16	7.50 ÷ R16	7.50 ÷ R16	7.50 ÷ R16	7.50 ÷ R16
	4 WD	7.50 ÷ R16	7.50 ÷ R16	280/70R18	280/70R18	320/70R20	320/70R20	11.2R24 280/85R24	11.2R24 280/85R24
Rear Tyres	2 WD	12.4R28 320/85R28	12.4R28 320/85R28	14.9R28 380/85R28	14.9R28 380/85R28	14.9R28 380/85R28	14.9R28 380/85R28	12.4R36 320/85R36	12.4R36 320/85R36
	4 WD	12.4R28 320/85R28	12.4R28 320/85R28	14.9R28 380/85R28	14.9R28 380/85R28	14.9R28 380/85R28	14.9R28 380/85R28	16.9R30 420/85R30	16.9R30 420/85R30
Weight ** (w/o front weights)	2 WD	2,555 kg	2,340 kg	2,775 kg	2,540 kg	2,825 kg	2,590 kg	2,900 kg	2,700 kg
	4 WD	2,645 kg	2,430 kg	2,905 kg	2,670 kg	2,965 kg	2,730 kg	3,065 kg	2,865 kg

* A, A 1, D with NEF motor: +87 mm / ** Weight with NEF motor: +70 kg

Vineyard / Wide Vineyard / Orchard



Light Utility





Carraro Spa
Agritalia Division
Rovigo Plant

Viale del Lavoro, 1
45100 Rovigo
Italy

T +39 0425 403600
F +39 0425 403655

info@carrarotracors.com

The data contained on this print-out is for information only. The models described may be subject to alteration by the Manufacturer without notice. Drawings and photographs may refer

to optional equipment or fittings destined for different countries. Please contact our sales team for further information.